

## Datasheet

48V 66F Ultra capacitor Module



# GTSM-48V66FUS



### FEATURES AND BENEFITS

- Compact, fully enclosed splash proof design
- Highest power performance
- Individually balanced cells
- Over 1,000,000 duty cycles
- Ultra-low internal resistance

### TYPICAL APPLICATIONS

- Electric vehicle
- Fork lift, Cranes
- Telecommunications
- Railway transportation
- Engine starting

### SPECIFICATIONS

#### ELECTRICAL

##### Capacitance

Nominal capacitance	66 F
Capacitance tolerance	+20% / -10%

##### Voltage

Rated voltage	48 V
Absolute Maximum Voltage	51 V
Maximum Series Voltage	750 V

##### Resistance

ESR, DC	10.4mΩ
---------	--------

##### Current

Maximum continuous current ( $\Delta T=40^{\circ}C$ )	80 A
Maximum peak current, 1 sec.	950A
Maximum leakage current	2.5mA

#### TEMPERATURE

##### Operating temperature range

(Cell case temperature)	-40°C to +65°C
-------------------------	----------------

##### Storage temperature range

(Storage uncharged)	-40°C to +70°C
---------------------	----------------

#### PHYSICAL

Weight	10 kg
--------	-------

Power Terminals	M8/M10
-----------------	--------

Recommended Torque - Terminal	20/30 Nm
-------------------------------	----------

Vibration Specification	GB-T 11287-2000
-------------------------	-----------------

Shock Specification	GBT 14537-1993
---------------------	----------------

Environmental Protection	IP65
--------------------------	------

#### MONITORING / CELL VOLTAGE MANAGEMENT

Internal Temperature Sensor	NTC Thermistor
-----------------------------	----------------

Cell Voltage Monitoring	Overvoltage Alarm
-------------------------	-------------------

#### POWER AND ENERGY

Usable power density (Pd)	2658 W/kg
---------------------------	-----------

Impedance match power density (Pmax)	5538 W/kg
--------------------------------------	-----------

Gravimetric energy density (E <sub>max</sub> )	2.1Wh/kg
--	----------

Energy available	21.1 Wh
------------------	---------

#### LIFE

<b>High Temperature</b> (at Rated Voltage & Maximum operating Temperature)	1,500 hours
---	-------------

Capacitance change (% decrease from minimum initial value)	≤20%
---	------

ESR change (% increase from minimum initial value)	≤100%
---	-------

<b>Room Temperature</b> (at Rated Voltage at 25°C)	10 years
---	----------

Capacitance change (% decrease from minimum initial value)	≤20%
---	------

ESR change (% increase from minimum initial value)	≤100%
---	-------

<b>Cycle Life</b> (Number of cycles)	1,000,000 times
---	-----------------

Capacitance change (% decrease from minimum initial value)	≤20%
---	------

ESR change (% increase from minimum initial value)	≤100%
---	-------

<b>Shelf Life</b> (Stored uncharged up to a maximum storage temperature)	2 years
---	---------

#### SAFETY

<b>Short circuit current (I<sub>sc</sub>)</b> (Current possible with short circuit from rated voltage. Do not use as an operating current.)	4000 A
--	--------

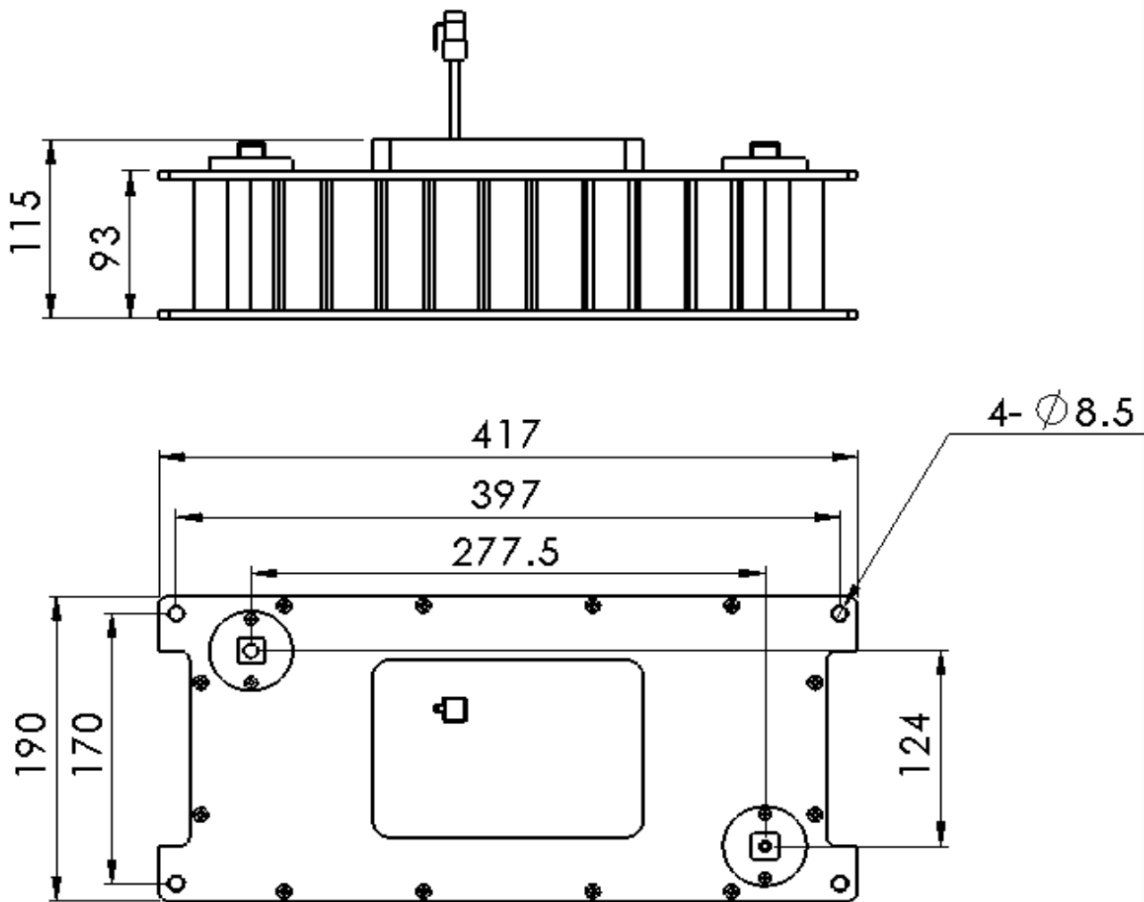
<b>Factory High-Pot Test</b>	1,500 V/DC
------------------------------	------------

Datasheet

48V 66F Ultra capacitor module



GTSM-48V66FUS



Part Number	Dimension (mm)			Package Quantity(set)
	L ( $\pm 0.5$ mm)	W ( $\pm 0.5$ mm)	H ( $\pm 0.5$ mm)	
GTSM-48V66FUS	417.0	190.0	115.0	1

Product dimensions are for reference only unless otherwise specified. Product dimensions and specifications may change without notice. Please contact GTCAP directly for any technical specifications critical to application.