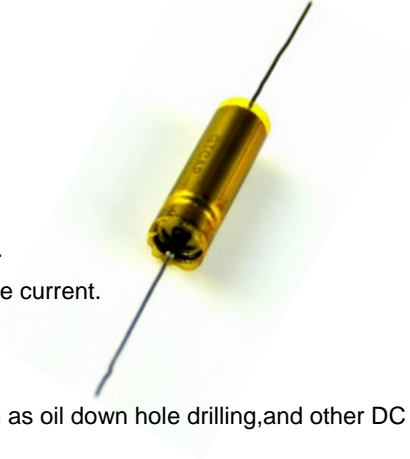




CA58A High-Temp Wet Tantalum Capacitor

All Tantalum Case, for -55°C ~ +200°C operation

(hermetic seal)



1, Brief Introduction and Feature

- ◆ CA58A, All tantalum case, hermetic sealed, with high-temp insulation sleeve wet tantalum electrolytic capacitors.
- ◆ With polar, axial leads through hole. High reliability, long life, high ripple current.
- ◆ This unit has a 3V reverse voltage capability.
- ◆ Can use in high temperature area.
- ◆ Widely used in electronic equipment for high-temp applications such as oil down hole drilling, and other DC or PC.
- ◆ Meet standard: QJ/PWV343-2011 Cross MIL-PRF-39006/22/25

2, General Characteristics

Operating Temperature: -55°C ~ +200°C (>85°C with voltage derating);

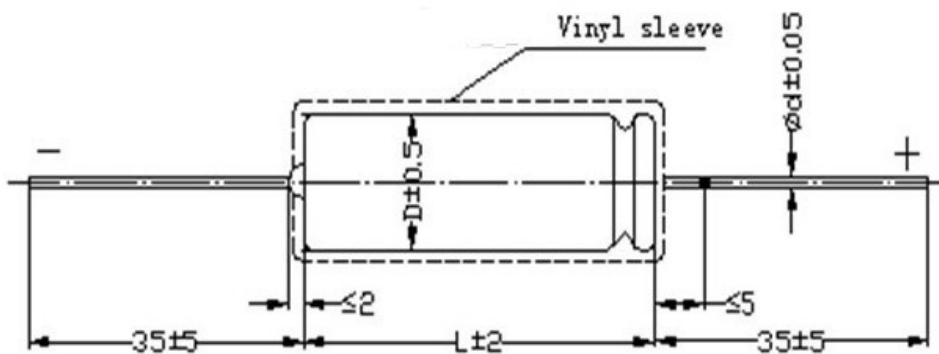
Storage temperature: -62°C ~ +130°C

Capacitance Tolerance: K=±10%, M=±20%

Case sizes, Dimensions and Max. weight: As shown in Table 1 and figure 1.

Performance: See table 2

3, Drawing, Case Dimension and Max. weight



Code	Max. weight (g)	Without sleeve		With sleeve	
		D±0.4 (mm)	L±0.8 (mm)	D±0.4 (mm)	L±0.8 (mm)
T1	3	4.78	11.51	5.56	12.30
T2	7	7.14	16.28	7.92	17.10
T3	12	9.52	19.46	10.31	20.2
T4	18	9.52	26.97	10.31	27.7



4. General Characteristics

Rated Voltage	Voltage Derating		Case size	Capacitance (μF)	DCL (μA)Max		Tgδ (%) 25°C	AC ripple 85°C 40kHz Max (μA)
	125°C	200°C			25°C	85°C 125°C		
			T1	68	1	2	15	960
			T1	220	2	9	50	1000
			T2	140	1	3	21	1200
			T2	270	1	6.5	45	1375
			T2	560	3	9	70	1500
			T2	820	3	14	155	1500
			T3	330	2	7.9	36	1800
			T3	560	2	13	55	1900
			T3	1200	5	18	80	1900
			T3	1500	5	20	172	1900
			T4	1200	3	14	90	2265
			T4	2200	6	24	170	2300
8	5	4.8	T1	25	1	2	7.5	820
			T1	56	1	2	14	900
			T1	180	2	9	41	1000
			T2	120	1	3	20	1230
			T2	220	1	7	37	1370
			T2	680	3	14	130	1500
			T3	290	2	7.9	34	1770
			T3	430	2	14	46	1825
			T3	1500	5	20	170	1900
			T4	850	4	16	60	2330
			T4	1800	7	25	138	2300
10	7	6	T1	20	1	2	6	820
			T1	47	1	2	13	855
			T1	120	2	6	25	900
			T1	150	2	9	34	900
			T2	100	1	4	15	1200
			T2	180	1	7	30	1365
			T2	390	3	9	80	1450
			T2	560	3	16	106	1450
			T3	250	2	10	30	1720
			T3	390	2	16	44	1800
			T3	1200	5	20	137	1850
			T4	750	4	16	50	2360
			T4	1500	7	25	114	2300



Rated Voltage	Voltage Derating		Case size	Capacitance (μF)	DCL (μA)Max		Tgδ (%) 25°C	AC ripple 85°C 40kHz max(μA)
	125°C	200°C			25°C	85°C 125°C		
			T1	33	1	2	10	820
			T1	82	2	6	25	900
			T1	100	2	9	30	900
			T2	70	1	4	13	1150
			T2	120	1	7	18	1450
			T2	270	3	9	55	1450
			T2	390	3	16	74	1450
			T3	170	2	10	25	1480
			T3	270	2	16	32	1740
			T3	680	6	18	80	1800
			T3	820	6	24	111	1800
			T4	540	6	24	40	2330
			T4	1000	8	32	92	2330
25	15	12	T1	10	1	2	4	715
			T1	22	1	2	6.6	800
			T1	47	2	6	20	800
			T1	56	2	6	20	850
			T1	68	2	9	22	850
			T2	50	1	2	11	1130
			T2	100	1	10	15	1435
			T2	180	3	9	50	1400
			T2	270	3	16	55	1400
			T3	120	2	6	21	1450
			T3	180	2	18	26	1525
			T3	390	6	18	40	1500
			T3	470	6	18	50	1750
			T3	560	7	28	76	1750
			T4	350	7	28	35	1970
			T4	680	8	32	63	2100
30	20	18	T1	8	1	2	4	640
			T1	15	1	2	5	780
			T1	47	2	6	17	800
			T1	56	2	9	22	800
			T2	40	1	5	10	1120
			T2	68	1	8	13	1285
			T2	150	3	9	35	1200



Rated Voltage	Voltage Derating		Case size	Capacitance (μF)	DCL (μA)Max		Tgδ (%) 25°C	AC ripple 85°C 40kHz max(μA)
	125°C	200°C			25°C	85°C 125°C		
			T3	100	2	12	17	1450
			T3	150	2	18	23	1525
			T3	390	6	18	50	1500
			T3	470	8	32	64	1500
			T4	300	8	32	31	1950
			T4	560	9	36	55	2000
35	22	21	T1	15	1	1.6	3.5	660
			T1	39	2	6	20	820
			T2	68	1	2.2	4	1195
			T2	120	3	10	30	1315
			T3	330	6	18	40	1640
			T4	270	3	12.5	25	1950
			T4	370	9	36	40	2040
40	26	24	T1	39	2	6	25	820
50	30	30	T1	5	1	2	3	580
			T1	10	1	2	4	715
			T1	33	2	9	12.3	700
			T2	25	1	5	8	1005
			T2	47	1	9	11	1155
			T2	100	4	12	20	1200
			T2	120	4	24	22.5	1200
			T3	60	2	12	12	1335
			T3	82	2	18	15	1400
			T3	270	8	32	37	1450
			T4	160	8	32	17	1900
			T4	330	9	36	38	1900
60	40	36	T1	4	1	2	2.8	525
			T1	8.2	1	2	4	625
			T1	18	2	12	10	700
			T1	27	3	12	10.2	700
			T2	20	1	5	7	930
			T2	39	1	9	10	1110
			T2	82	4	16	17	1100
			T2	100	4	20	19	1100
			T3	50	2	12	10	1330
			T3	68	2	18	13	1365



Rated Voltage	Voltage Derating		Case size	Capacitance (μF)	DCL (μA)Max		Tgδ (%) 25°C	AC ripple 85°C 40kHz max(μA)
	125°C	200°C			25°C	85°C 125°C		
	60	40			36	T3		
60	40	36	T4	140	8	32	16	1850
			T4	270	9	36	27	1850
			T4	330	10	40	30	1850
			T1	10	1	2	8	715
63	42	38	T2	100	2	12	16	1100
75	50	45	T1	3.5	1	2	2.5	525
			T1	6.8	1	2	3.5	610
			T1	12	3	12	6	600
			T1	22	3	12	8.5	600
			T2	15	1	5	6	890
			T2	33	1	10	10	1000
			T2	68	4	16	15	1000
			T2	82	4	24	15.2	1000
			T3	40	2	12	9	1250
			T3	56	2	18	11	1335
			T3	180	9	36	24.4	1300
			T4	110	8	36	12	1850
			T4	220	10	40	37	1800
			T4	300	12	48	38	2000
100	65	60	T1	2.5	1	2	2	505
			T1	4.7	1	2	3	565
			T1	10	3	12	4.5	800
			T2	11	1	5	5	835
			T2	22	1	8	7.5	965
			T2	39	5	24	10.4	1300
			T3	25	2	12	7	1200
			T3	30	2	16	8	1240
			T3	43	2	18	8.5	1335
			T3	68	10	40	11.3	1600
			T4	56	5	25	9	1800
			T4	86	8	32	10	1800
T4	120	12	48	25	2000			
125	85	75	T1	1.7	1	2	2	415
			T1	3.6	1	2	2.7	520
			T1	6.8	3	12	6	700
			T2	9	1	5	5	755



Rated Voltage	Voltage Derating		Case size	Capacitance (μF)	DCL (μA)Max		Tgδ (%) 25°C	AC ripple 85°C 40kHz max(μA)
	125°C	200°C			25°C	85°C 125°C		
125	85	75	T2	14	1	8	6	860
			T2	27	5	24	7.2	1200
			T3	18	2	12	5	1130
			T3	25	2	18	6	1200
			T3	47	10	40	7.9	1500
			T4	56	8	32	6.5	1800
			T4	68	11	44	10	1850
			T4	82	12	48	17.4	1900

5,How to order

(GTCA58A 107 M 030 T3)

GT	CA58A	107	M	030	T3
Brand Name	Type	Capacitance	Tolerance	DC voltage	Case code
Green Tech	High-temp Wet Electrolytic Tantalum Capacitor	107: 10×10^7 (pF) This is expressed in picofarads. The first two digits are the significant figures. The third is the number of zeros to follow.	K=±10% M=±20%	6V=006 8V=008 10V=010 ... 50V=050 60V=060 100V=100 125V=125	See table 1

Notes:

- 1、Tantalum capacitors can't been measured by multimeter (Easily cause irreversible damage and lead to reject)
- 2、Capacitance, DF measure frequency: 100Hz, $U_1=2.20-1.0V$, $U_2=1.00-0.5V$ (effective value), measure method is by series equivalent circuit.
- 3、Measure leakage current above 125°C, please use derated voltage. DLC read within 5 minute.
- 4、Special size and big capacitance products, please negotiate with us